

Technical Data

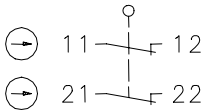
Safety switch

Series SK - ASI – with separate actuator

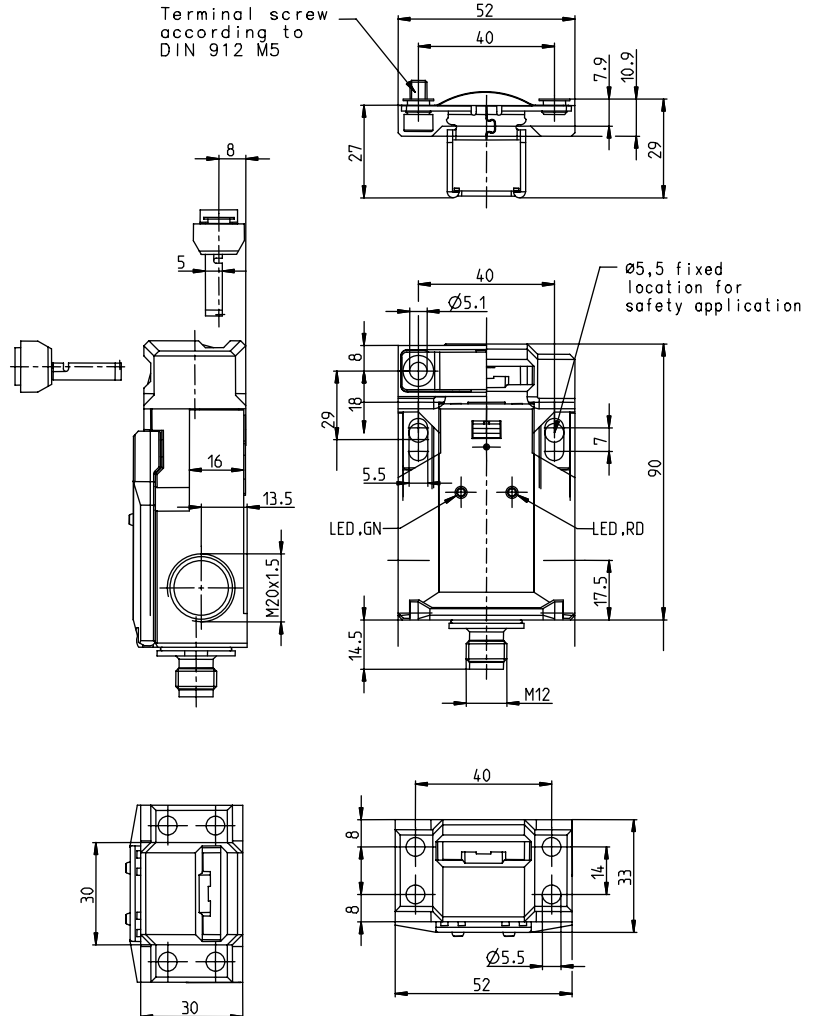
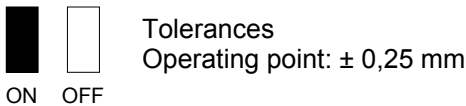
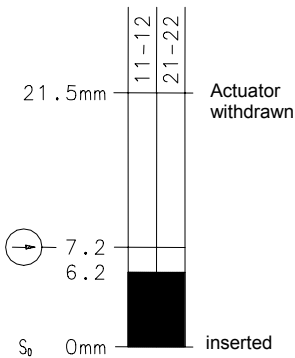
Description **ASI SK F30 M**

Article number **6073205050**

Operating symbol



Operating diagram



Electrical data

Operating voltage	U	26,5 ... 31,6 V; via AS-interface, reverse-polarity proof
Operating current	I	< 30mA
AS-i Specifications		Profile S-0.B IO-Code: 0x0 ID-Code: 0xB ID-Code1: 0xF ID-Code2: 0xE
AS-i Inputs		Contact 1: Date bits D0/D1 = static 00 or dynamic code transmission Contact 2: Date bits D2/D3 = static 00 or dynamic code transmission
Parameter bits		no function
AS-i Address		preset address: 0

This document will not become the contractual basis; the details included herein do not constitute any descriptions of expected conditions, so that warranties/claims for defects on account of possible variations of the actual qualities from the qualities described herein are explicitly excluded. All rights reserved. Specifications subject to change without notice!

Date of issue: 22.06.2009 / Page 1 of 2
Document : 6073205050_en / Last update: 1 / 2290-09

Technical Data

Safety switch

Mechanical data

Enclosure	Thermoplastic, glass fibre reinforced (UL94-V0)	
Cover	Thermoplastic, glass fibre reinforced (UL94-V0)	
Indication	LEDs for slave and bus state	
Actuator	Separate actuator (St-stainless steel)	
Extraction force	30N	
Ambient air temperature	-25°C ... +70°C	
Contact type	2 NC (slow-action, Zb)	
Mechanical life	1 x 10 ⁶ switch operations	
Switching frequency	≤ 30 / min.	
Assembly Safety switch	2 x M5	
Actuator	2 x M5	
Connection	Plug connector M12 male	
Plug connection	1: AS-i +	2: free
	3: AS-i -	4: free
Weight	≈ 0,14kg	
Installation position	Operator definable	
Protection type	IP65 acc. to IEC/EN 60529	

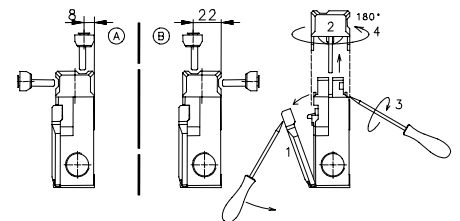
Actuation

Turning the cap (pos A/B) allows 4 different directions of drive.

Cover (1) has to be opened before turning the cap (2).

Insert the screwdriver into the gap between housing and cap and turn until the cap snaps off.

Remove the cap, turn it 180° (4), latch it into the housing and close the cover.



Standards

VDE 0660 T100, DIN EN 60947-1, IEC 60947-1
 VDE 0660 T200, DIN EN 60947-5-1, IEC 60947-5-1
 EN 50295, EN ISO 13849-1

EU Conformity

acc. to EMC Directive

Safety Classification

according 13849-1 to PL e
 MTTFd = high
 PFD = 2,49 * 10⁻¹⁰

Notes

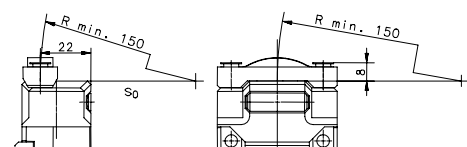
The degree of protection specified (IP code) applies only to a properly closed cover and the use of an equivalent connector.

The switch may not be used as a mechanical stop.

Radial actuation may reduce the mechanical life.

The min. radius refers to a pivot at the top of the cap (S₀).

Tapped holes not in use must be closed with blind plugs.



This document will not become the contractual basis; the details included herein do not constitute any descriptions of expected conditions, so that warranties/claims for defects on account of possible variations of the actual qualities from the qualities described herein are explicitly excluded. All rights reserved. Specifications subject to change without notice!

Date of issue: 22.06.2009 / Page 2 of 2
 Document : 6073205050_en / Last update: 1 / 2290-09